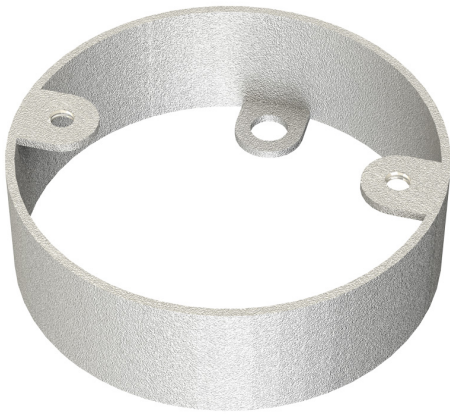


PRODUCT CODE: SR32G
EXTENSION RING



DESCRIPTION

32mm Extension Ring

FINISH

BZP

MATERIAL

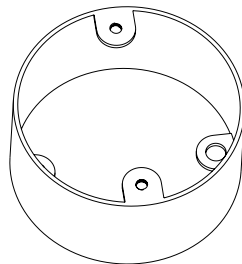
Steel

PACKAGING

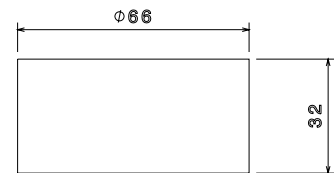
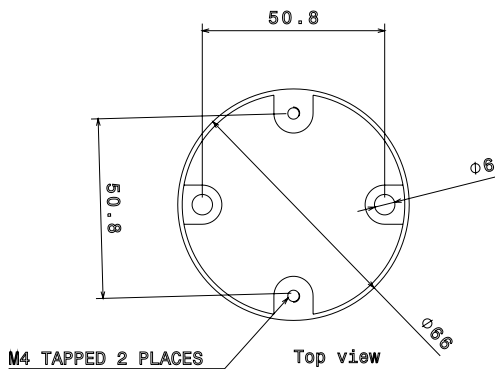
Packed in qty 20

ADDITIONAL NOTES

Conforms to BS EN61386-1



Isometric view



Side view